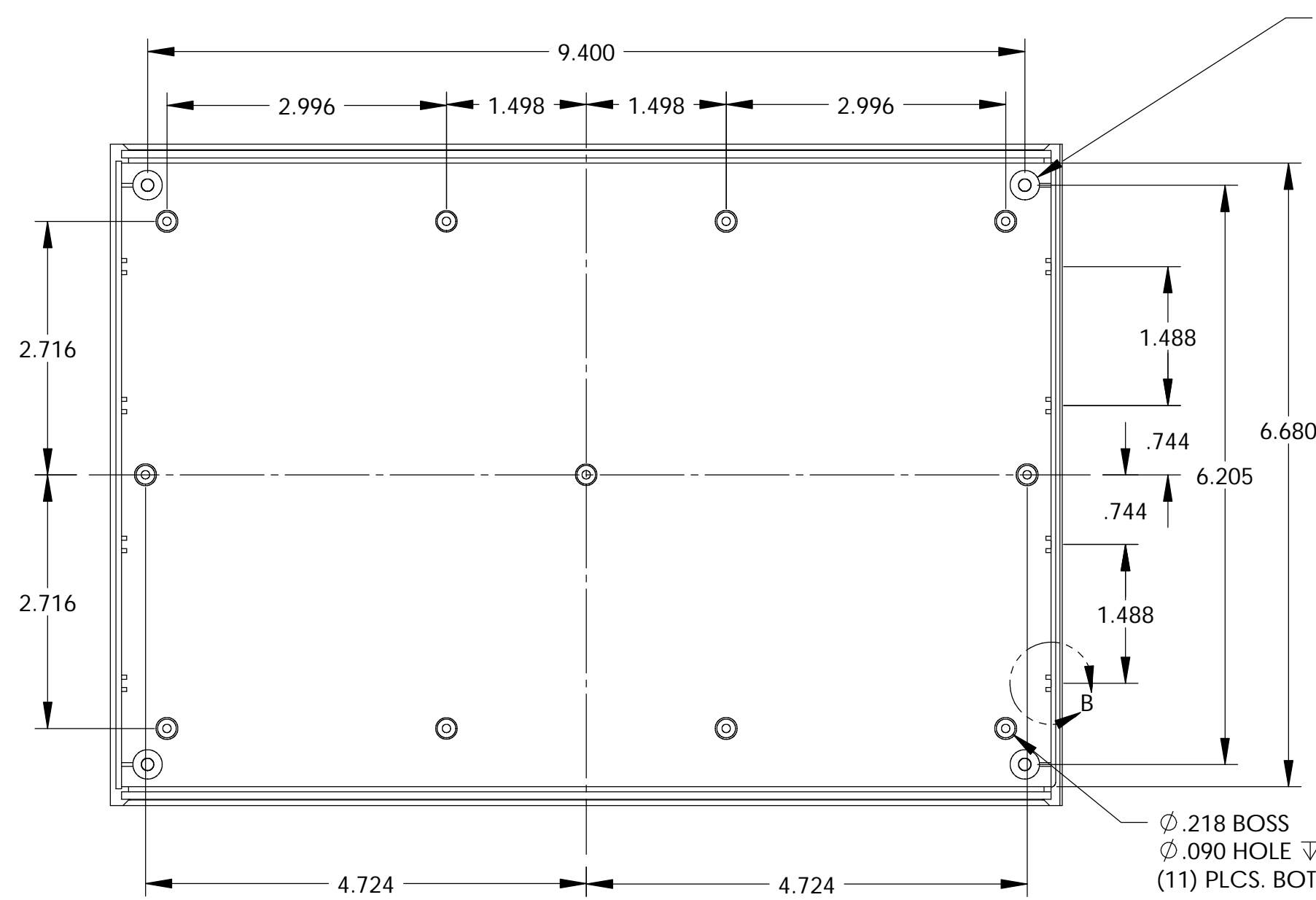


PART NAME

PLASTIC INSTRUMENT CASE

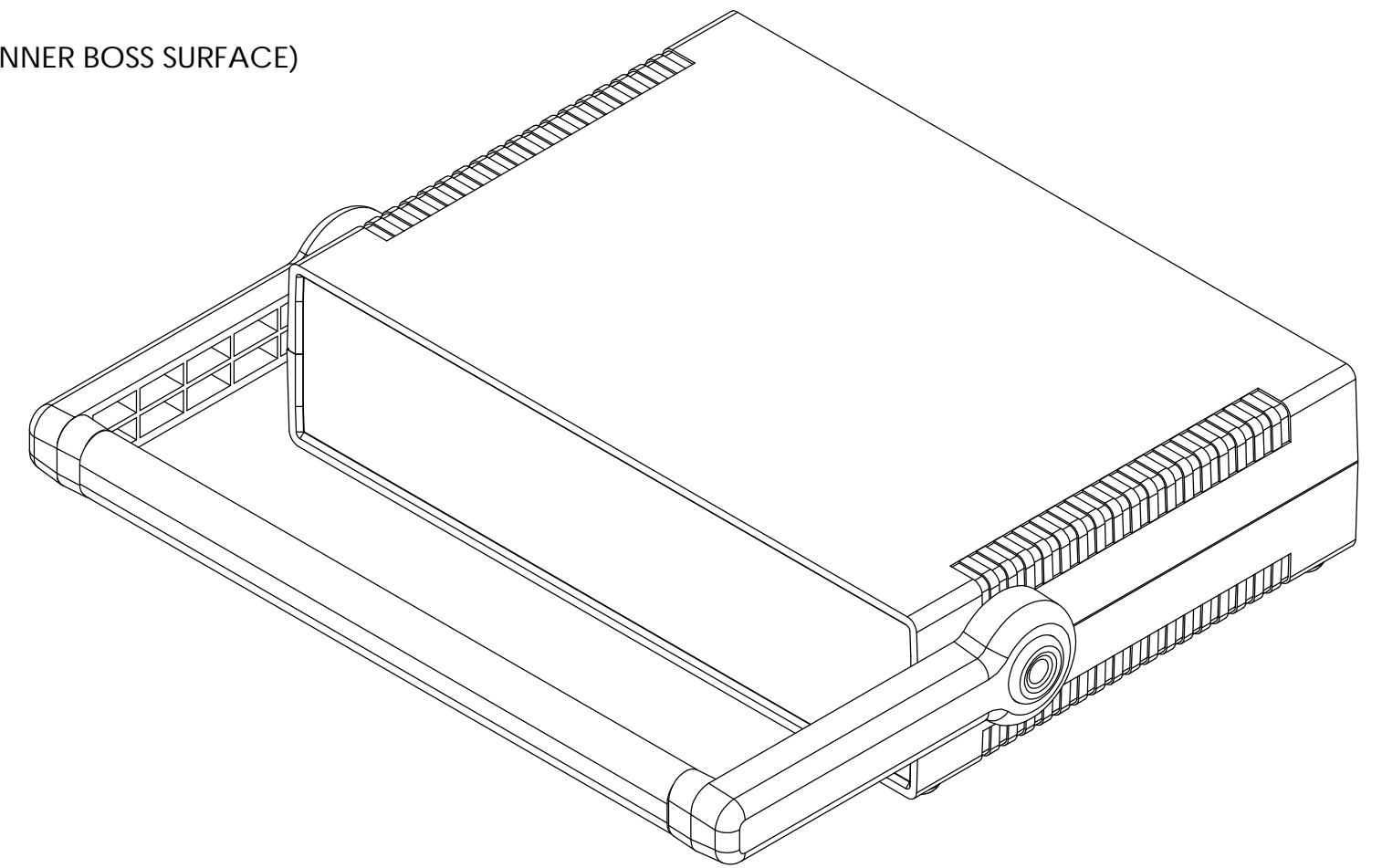
PART No.

IP-6136 & IP-6137 & IP-6138



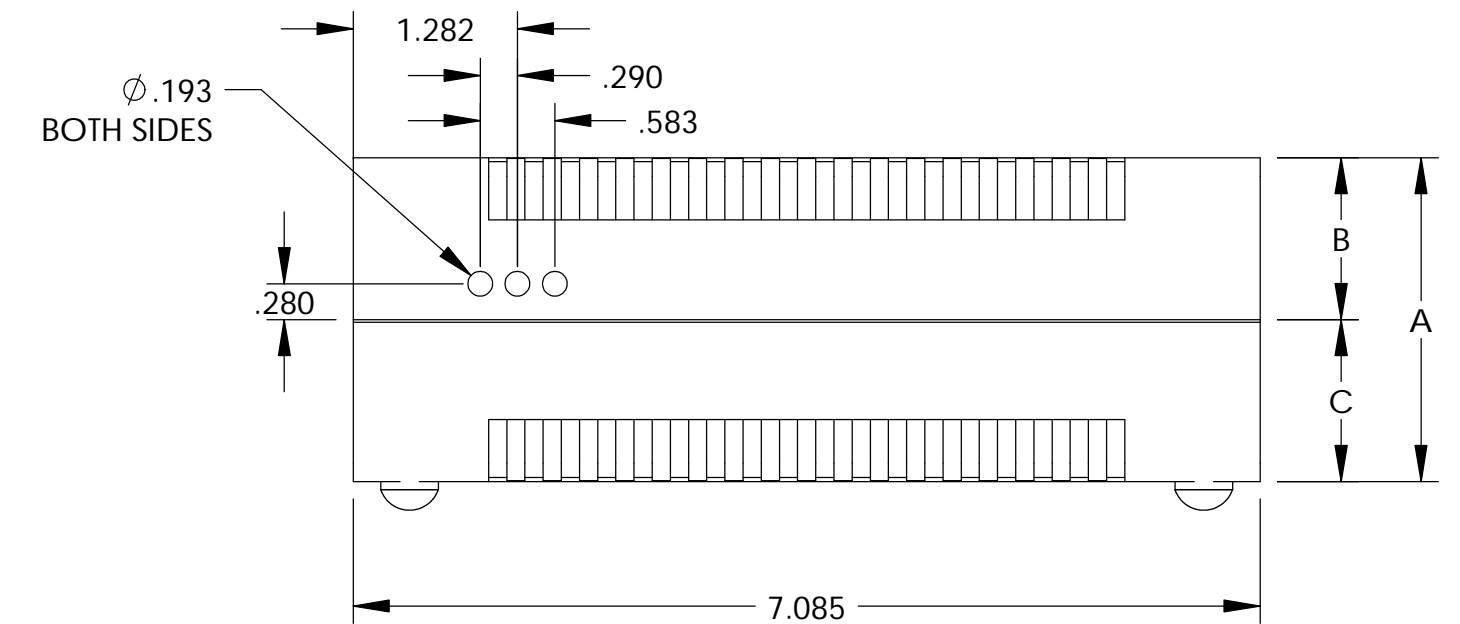
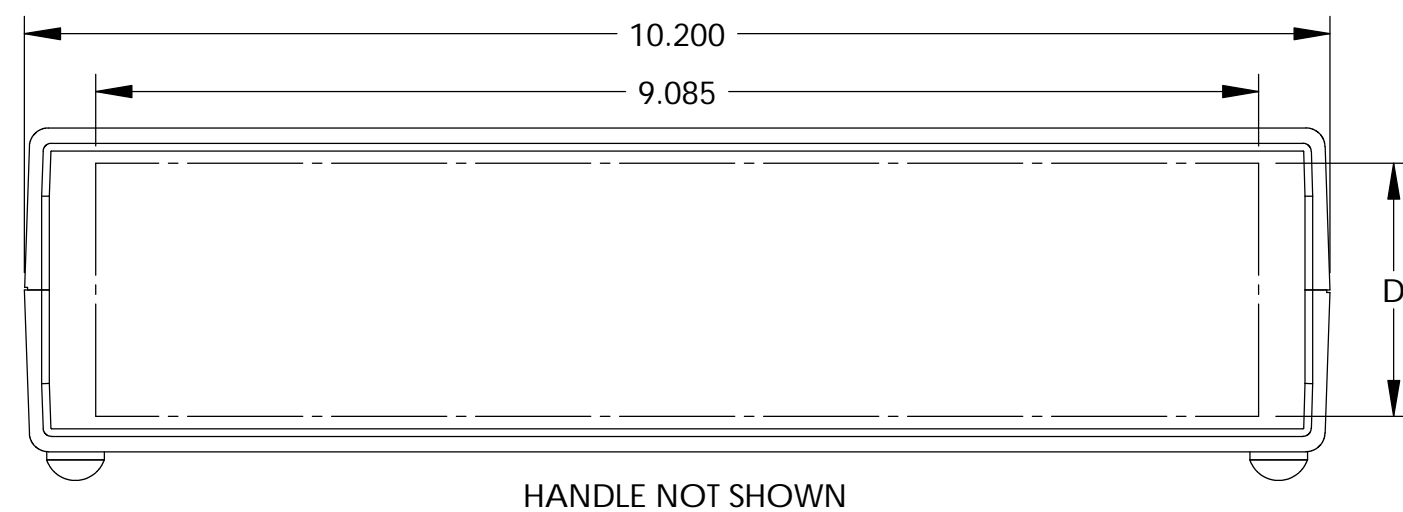
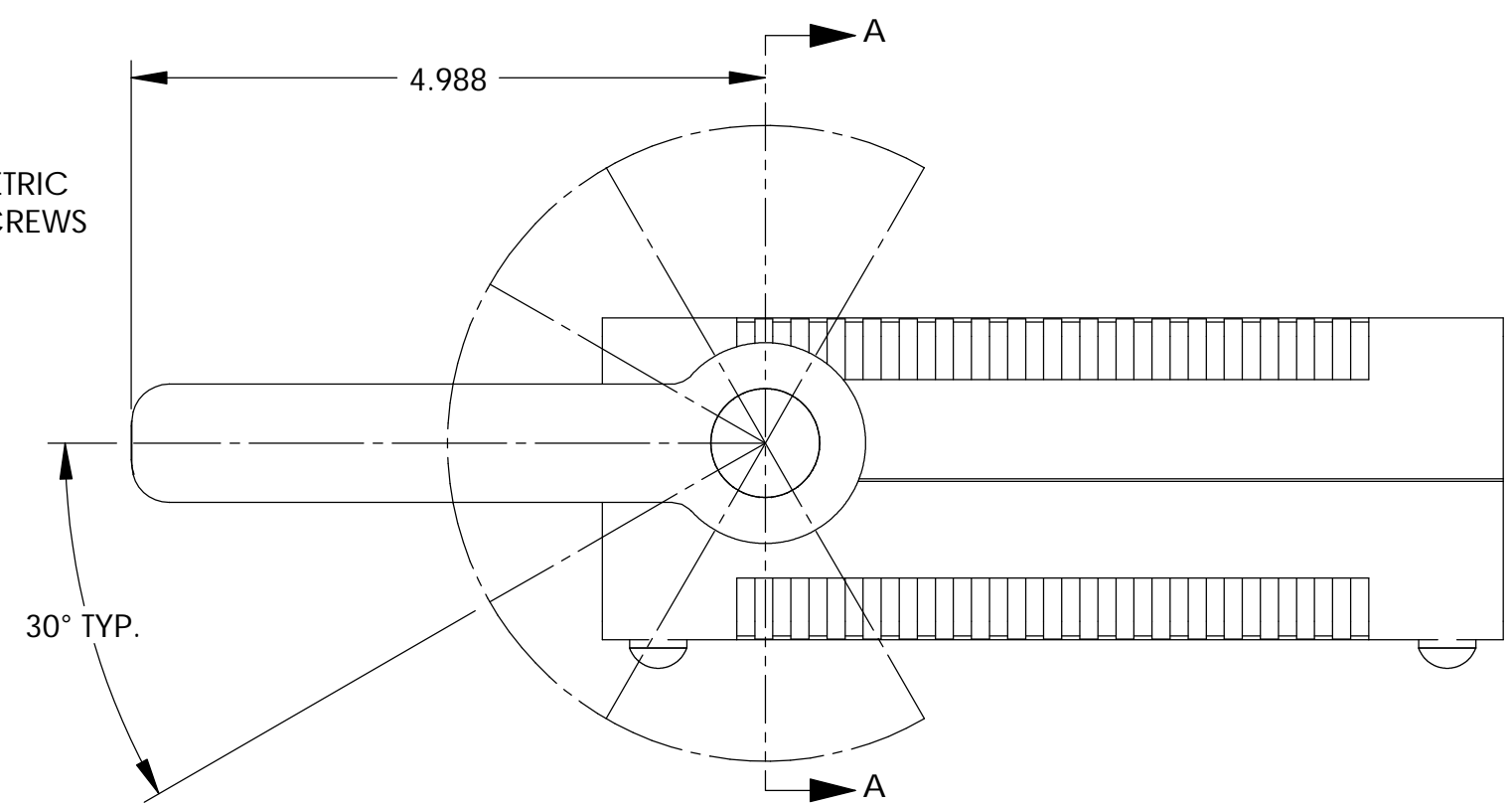
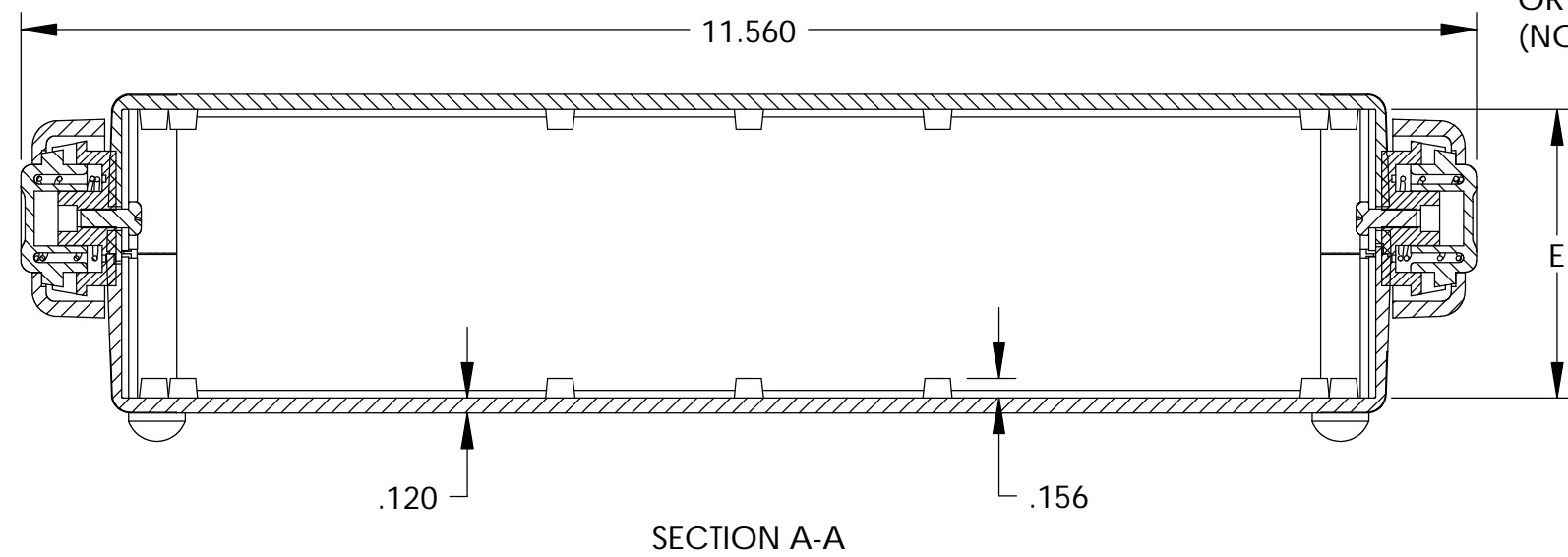
BOTTOM COVER:
 $\phi .248 \nabla .050$
 92° C-SINK $\nabla .665$ (FROM INNER BOSS SURFACE)
 $\phi .132$ THRU
 (FAR SIDE 4 PLCS.)

TOP COVER:
 M3 BRASS INSERT (4 PLCS.)



$\phi .218$ BOSS
 $\phi .090$ HOLE $\nabla .218$
 (11) PLCS. BOTH COVERS

BOSES USE EITHER M2.5 METRIC
 OR #4 STD. SHEET METAL SCREWS
 (NOT SUPPLIED)



NOTES:
MATERIALS & FINISHES:
 COVERS - ABS (LIGHT GREY)
 UL94-HB FLAMMABILITY RATING
 PANELS - ABS (BLACK)
 UL94-HB FLAMMABILITY RATING
 HANDLE SUPPORTS - ABS (GREY)
 UL94-HB FLAMMABILITY RATING
 HANDLE - ALUMINUM EXTRUSION (CLEAR ANODIZE)

HARDWARE INCLUDED:
 HANDLE KIT AND (2) M4 x 10mm PAN HEAD MOUNTING SCREWS INCLUDED
 (4) M3 x 25mm FLAT HEAD SCREWS
 (4) RUBBER FEET

ALL DIMENSIONS HAVE $\pm .015$ TOLERANCE UNLESS OTHERWISE SPECIFIED

PART No.	TOTAL HEIGHT A	COVER HEIGHT B	BASE HEIGHT C	USEABLE PANEL SPACE D	INTERNAL CLEARANCE E
IP-6136	2.530	1.265	1.265	1.978	2.290
IP-6137	3.320	2.055	1.265	2.768	3.080
IP-6138	4.110	2.055	2.055	3.558	3.870